



# DE GOEY CONTRACTORS

## Bulk Material Handling

DE GOEY CONTRACTORS (DGC) specialises in cutting-edge modern bulk material handling systems. Our services encompass design, engineering, certification, fabrication, coatings, installation and commissioning, providing a comprehensive solution for our clients.

We pride ourselves on delivering excellence with our products and services, whilst upholding a-class quality and safety assurances.

### Capabilities

De Goey Contractors stands out for its excellence in providing top-tier projects and installation services. We specialise in tailoring our solutions to meet the unique requirements of every project, irrespective of its size.

Our strategic partnership with Red Engineers, who bring years of experience in designing bulk handling systems, combined with our specialised fabrication and protective coating divisions, enhances our ability to provide clients with services supported by exceptional expertise and qualifications.



### DE GOEY CONTRACTORS

### Capabilities

- ✓ Access platforms
- ✓ Belt clamps
- ✓ Belt maintenance
- ✓ Belt reelers
- ✓ Belt wash and belt scrapper systems
- ✓ Boot – ends
- ✓ Chutes
- ✓ Coffin seals
- ✓ Conveyor structures
- ✓ De – watering
- ✓ Development of conveyor drives
- ✓ Development units
- ✓ Drives
- ✓ Drive – head
- ✓ Dust suppression systems
- ✓ Gravity take ups
- ✓ Guarding
- ✓ Hoppers
- ✓ Loop take ups
- ✓ Mono rails
- ✓ Overland conveyors
- ✓ Pinch rollers
- ✓ Pulleys
- ✓ Sac – bases
- ✓ Tail – ends
- ✓ Transfers
- ✓ Trippers
- ✓ Underground conveyors
- ✓ Winches

Now operating from our state-of-the-art Workshop facility in Paget & our hard stand facility in the new Bakers Creek industrial precinct, we are fully equipped to complete any bulk material handling project big or small.

#### Workshop Facility

- Address:** 8 Caterpillar Drive, Paget, QLD 4740
- Site Area:** 6,444sqm\*
- Building Area:** 2,798sqm\*
- Facilities:** Workshop – 2,798sqm\*
- Cranes:** Double Hook 70T & 20T Overhead Gantry Crane
- Power Capacity:** 415v 1.00AMP

#### Hard Stand

- Address:** 29 Logistics Drive, Bakers Creek QLD 4740
- Site Area:** 2.26 Acres
- Transport:** Approved B Double access to Bruce Hwy



### Safety First

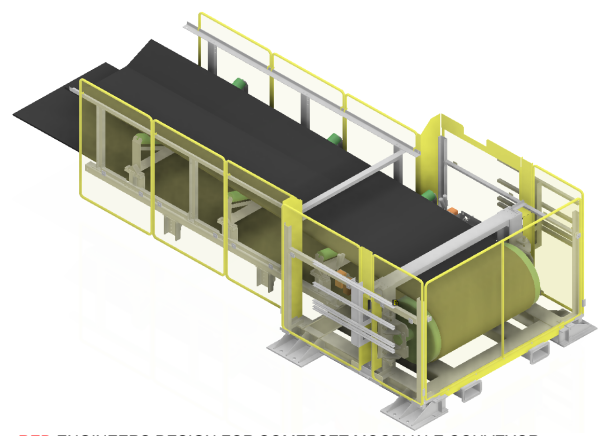
DGC has robust training and safety awareness and promotes a Zero Harm policy. Our HSE Safety Manager has extensive knowledge about the industry and operates an in-depth safety and health management system to ISO 45001:2018 to safeguard our people and operations.



YOU'RE IN GOOD HANDS

## What We Offer

- ✓ Conveyor guarding fabrication and installation
- ✓ Conveyor layouts
- ✓ Conveyors power and tension reports
- ✓ Conveyor studies
- ✓ Design & development of bulk materials handling systems
- ✓ Engineering & RPEQ services
- ✓ Fabrication
- ✓ Labour hire
- ✓ Mechanical & electrical fit out
- ✓ Quality assurance documentation, testing and commissioning
- ✓ Site maintenance and commissioning
- ✓ Surface treatment

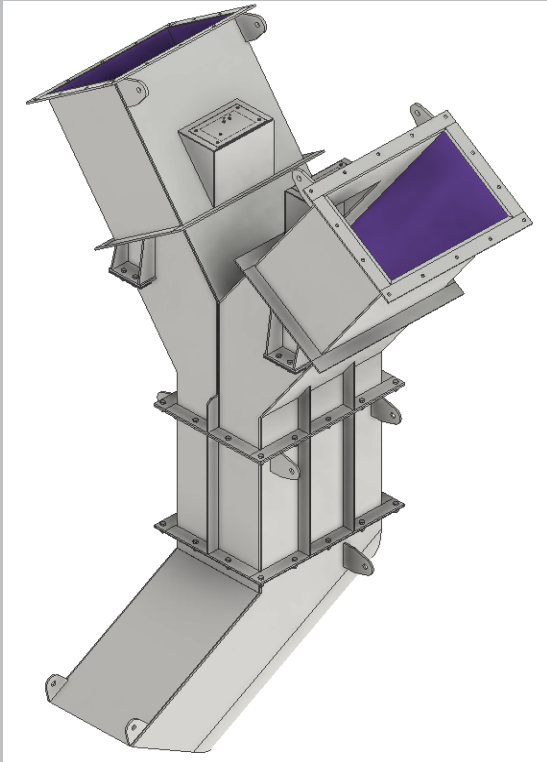


RED ENGINEERS DESIGN FOR SOMERSET MOORVALE CONVEYOR

## Sustainability

DGC are committed to establishing and maintaining a comprehensive Sustainable Environmental Management System in compliance with industry best practice and regulatory requirements.

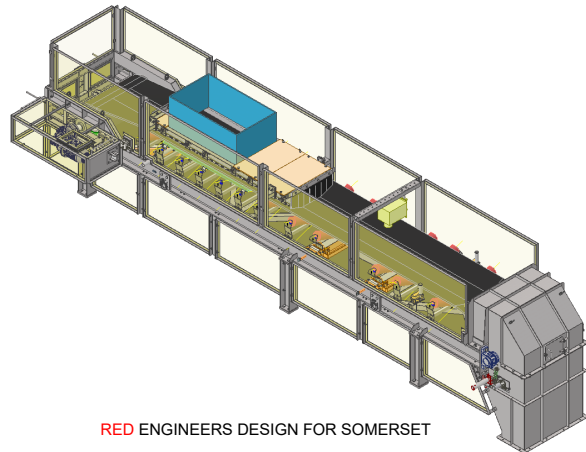
We achieve this through actively consulting and communicating with our workforce to provide and communicate on environmental matters, sustainable environmental practices, company successes and opportunities for continuous improvement.



RED ENGINEERS DESIGN FOR GORDON STONE PROJECT

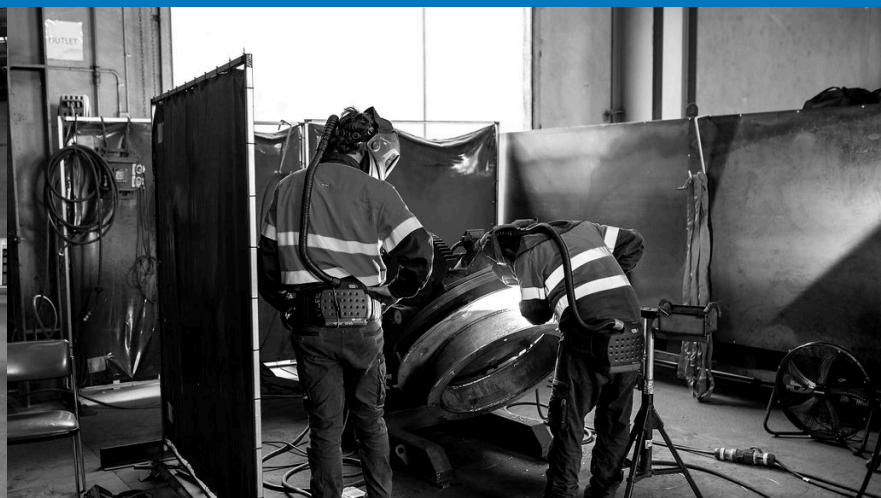


RED ENGINEERS DESIGN  
RADIAL STACKER FOR  
CURRAGH MINE



RED ENGINEERS DESIGN FOR SOMERSET

## NO JOB TOO BIG OR SMALL

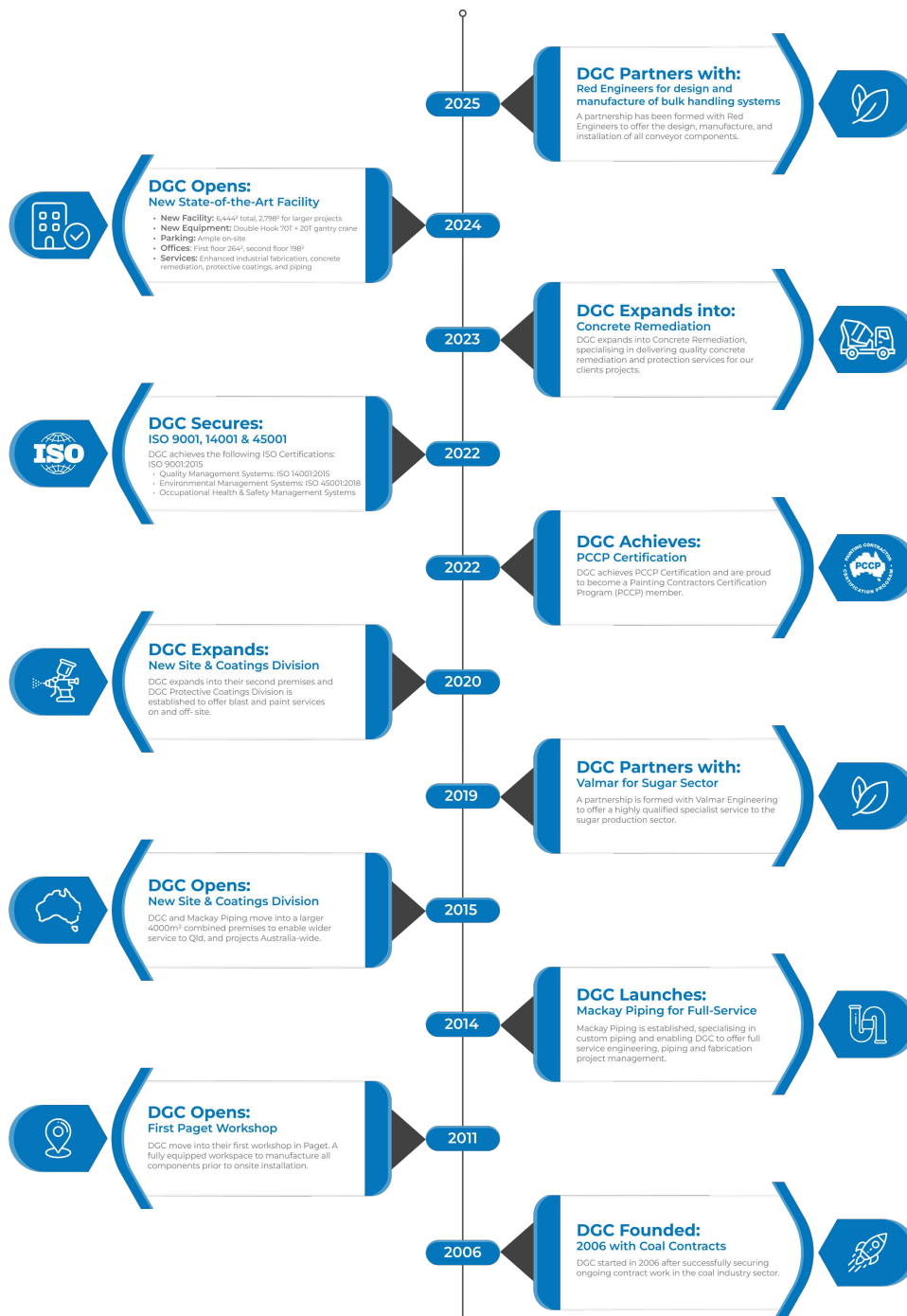


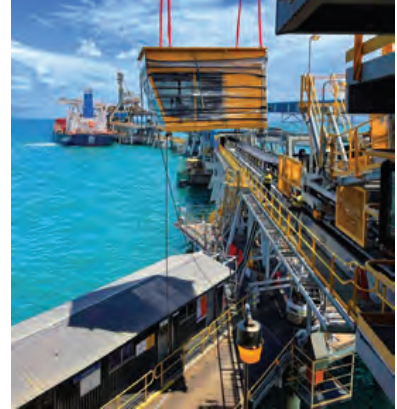


## COMPANY OVERVIEW

<p>OVER <b>350</b> YEARS COMBINED EXPERIENCE</p>	<p>CELEBRATING <b>18</b> YEARS IN BUSINESS</p>	<p>OVER <b>5200</b> PROJECTS SUCCESSFULLY COMPLETED</p>	<p>OVER <b>90</b> SATISFIED REPEAT CUSTOMERS</p>
--	--	---	--

## TIMELINE





# COMPANY OVERVIEW

## SERVICES

- WELDING
- PIPING
- FABRICATION
- INSTALLATION
- PROTECTIVE COATING
- LABOUR HIRE
- CONCRETE REMEDIATION
- BULK MATERIAL HANDLING SYSTEMS

## INDUSTRY EXPERIENCE

- COAL MINING PROJECTS & MAINTENANCE
- COAL TERMINAL PROJECTS & MAINTENANCE
- PORT MAINTENANCE
- MANUFACTURING
- PROJECT MAINTENANCE & LABOUR HIRE
- SUGAR INDUSTRY
- CONCRETE REMEDIATION

### DE GOEY CONTACTORS

DGC is committed to meeting all contractual, statutory and regulatory obligations and requirements for safety, service, quality and reliability in its manufacture and installation of steel structure and piping systems. We operate a PAS99 Integrated Management System accredited to ISO 9001:2015, ISO 14001:2015 and ISO 45001:2018.

### ADDRESS

8 Caterpillar Drive  
Paget, QLD 4740

### EMAIL

[contactus@dgcon.com.au](mailto:contactus@dgcon.com.au)

### OFFICE HOURS

8am - 4pm (8am - 3pm Friday)



- Coal Mining Projects & Maintenance
- Coal Terminal Projects & Maintenance
- Port Maintenance
- Project Management & Labour Hire
- Manufacturing
- Sugar Industry
- Concrete Remediation

# YOU'RE IN GOOD HANDS.

07 4959 3411 | [dgcon.com.au](http://dgcon.com.au) | [contactus@dgcon.com.au](mailto:contactus@dgcon.com.au)  
8 Caterpillar Drive, Paget, QLD, 4740